

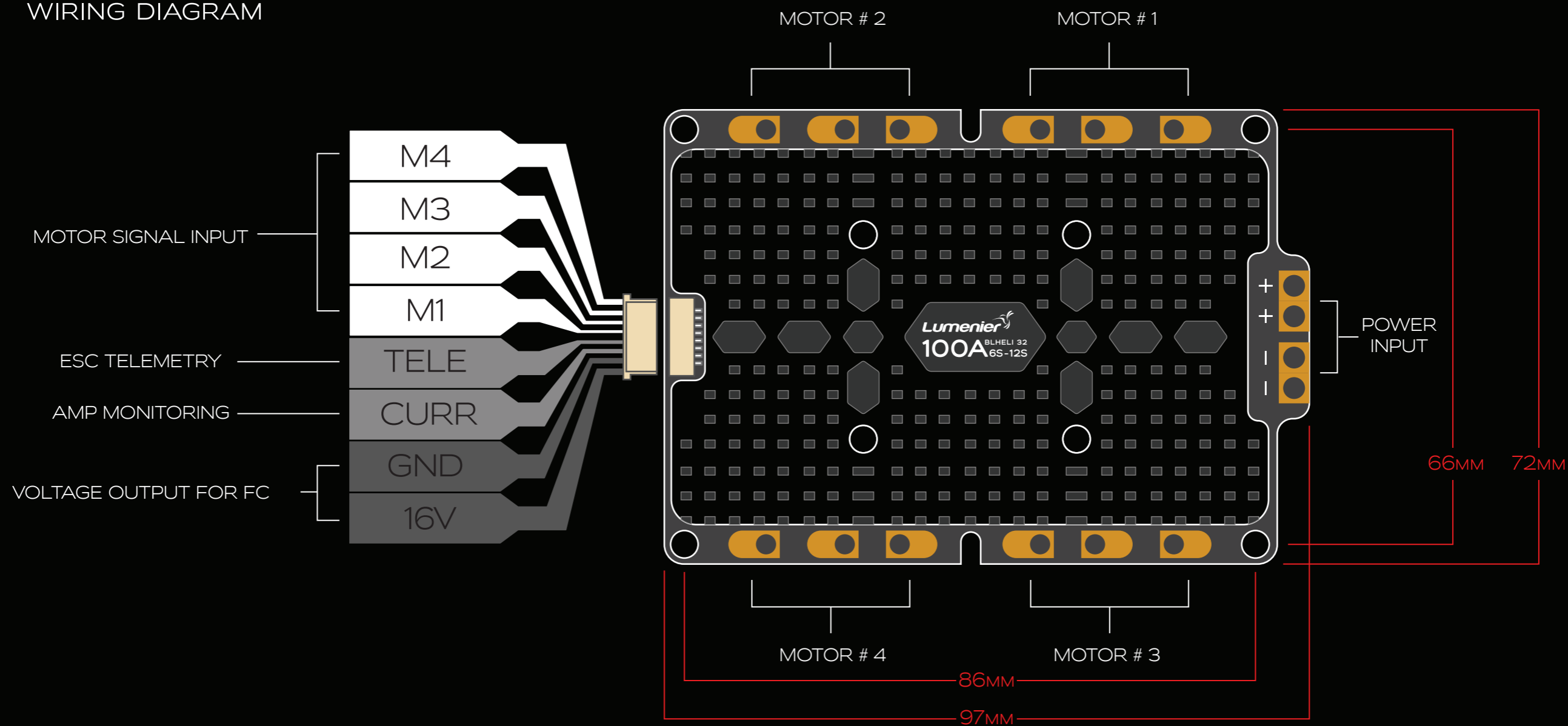


ELITE PRO

100A 6S - 12S 4-IN-1 BLHELI 32

PRODUCT MANUAL

WIRING DIAGRAM





ELITE PRO

SPECIFICATIONS

AMP CONTINUOUS CURRENT	100 AMPS
AMP PEAK CURRENT	120 AMPS
BATTERY	6 - 12S UP TO 52V
PROCESSOR	CORTEX M4 32 BIT 120MHz
PWM FREQUENCY	PWM 8 - 48kHz
WEIGHT	107 GRAMS
SIZE	97MM x 72MM x 15MM
MOUNTING PATTERN	30.5MM x 30.5MM / 86MM x 66MM
FW SUPPORT	DSHOT 300 / DSHOT 600 / DSHOT 1200 / MULTISHOT / ONESHOT / PPM

FEATURES

1. OPTIMIZED BLHELI-32 FIRMWARE FOR 12S HIGH VOLTAGE USE
2. BRAND-NEW CORTEX M4 32 BIT PROCESSOR RUNNING 120MHZ FREQUENCY
3. SUPERB PCB CIRCUIT DESIGN AND 8 OZ THICK COPPER ENSURES HIGH-CURRENT CAPABILITY
4. PCB ONE-SIDED MOSFET DESIGN REDUCES NOISE AND OPTIMIZES HEAT DISSIPATION
5. HIGH VOLTAGE LOW RESISTANCE MOSFET: 100V, 1.5M Ω
6. THE LUMENIER ELITE PRO ESC SUPPORTS DSHOT300, DSHOT600, DSHOT1200, MULTISHOT, ONESHOT AND PPM
7. SUPPORTS PWM 8-48KHZ AT A VERY HIGH DEMAG COMPENSATION